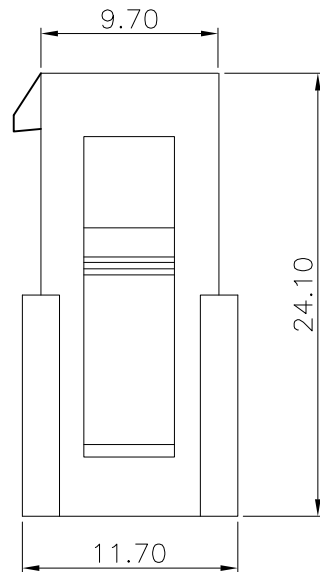
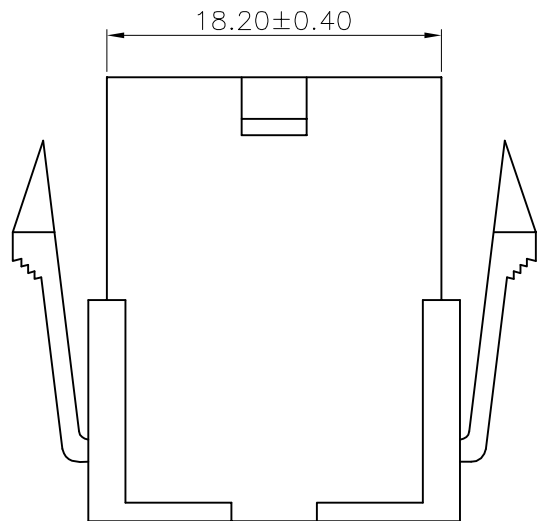
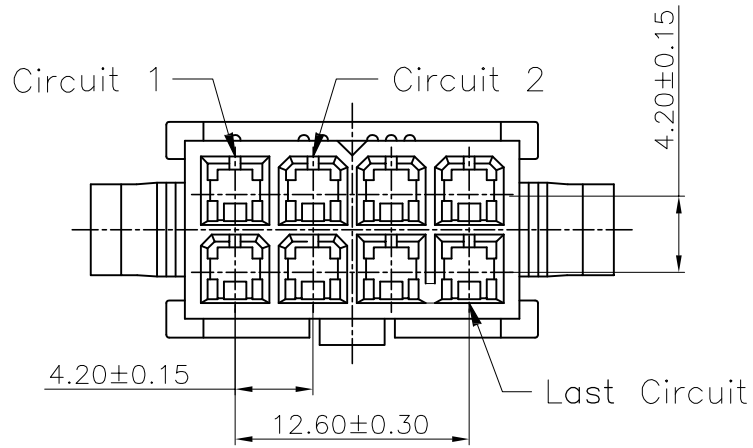


The product using material and processing must conform to the "WI-PZ-001" HSF technical standard control requirements

RoHS



NOTE:

1.MATERIAL SPECIFICATION:

1-1.HOUSING: PA66

2.ELECTRICAL PERFORMANCE:

2-1.CURRENT RATING: 9A

2-2.CONTACT RESISTANCE: 30 mΩ MAX

2-3.INSULATION RESISTANCE: 1000MΩ Min

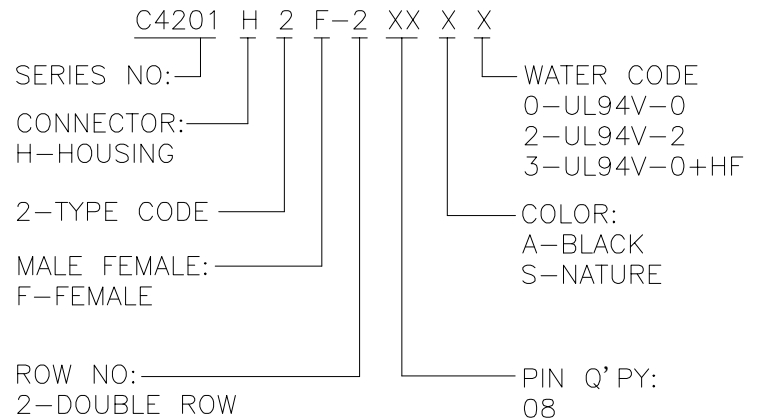
2-4.DIELECTRIC WITHSTANDING : 1500V

3.ENVIRONMENTAL PERFORMANCE:

3-1.OPERATING TEMPERATURE: -25°C~+85°C.

4.PACKAGE SPEC: PE BAG

5.P/N:



REV.	REVISION RECORD	DATE		GENERAL TOLERANCES		SCALE: 1:1	NAME	DATE	PART.NO:	DWG.NO:	
A0	NEW RELEASE	21.11.17		LINEAR	ANGLES	APPROVED	Wang_jr	21.11.17	C4201H2F-2XXXX	ENDE05	
			0.0±0.35	X'REF±6'	CHECK	Han_Gao	21.11.17	TITLE: Pitch 4.2mm Female 双排 Housing 有耳 连7,8PIN 特殊款		REV: A0 SHEET: 1/1	
			0.00±0.25	X'±3'	DRAWN	Zijun_Huang	21.11.17				
			UNIT:mm	X'X' ±2'							
			SIZE: A4	0.000±0.10							