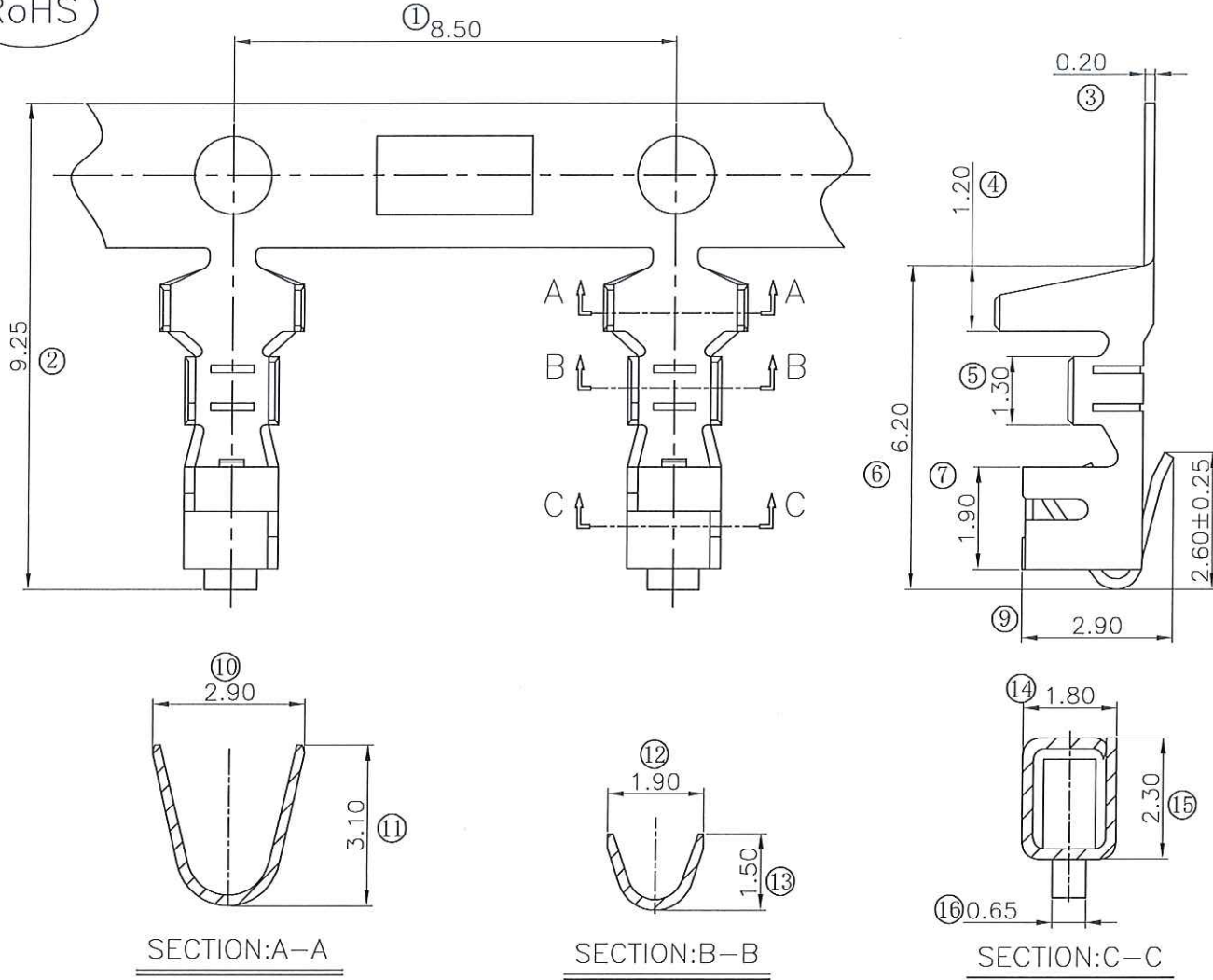


The product using material and processing must conform to the "WI-PZ-001"HSF technical standard control requirements

RoHS



NOTE:
 1.MATERIAL SPECIFICATION:
 1-1.CONTACTS: PHOSPHOR BRONZE
 2.PLATING SPECIFICATION:
 2-1.CONTACTS:
 TIN/GOLD FLASH PLATED OVER ALL.
 3.ELECTRICAL PERFORMANCE:
 3-1.CURRENT RATING: 3A AC/DC
 3-2.CONTACT RESISTANCE: 20 mΩ MAX
 3-3.INSULATION RESISTANCE: 1000MΩ Min
 3-4.DIELECTRIC WITHSTANDING : 1000V
 4.ENVIRONMENTAL PERFORMANCE:
 4-1.OPERATING TEMPERATURE: -25°C~+85°C.
 5.WIRE RANGE: AWG22#-28#
 6.P/N:

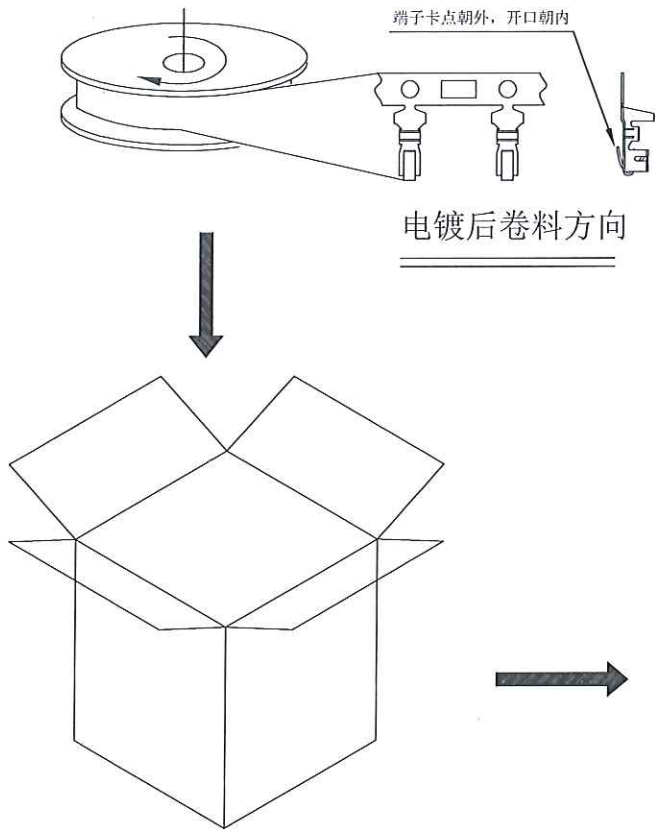
SERIES NO: A2501 T 2 F X-X
 CONNECTOR: T-TERMINAL
 2-TYPE 2
 MALE FEMALE: F-FEMALE
 PLATING:
 1-G/F
 A-ALL AU G/F
 C-BRIGHT TIN
 D-MATTE TIN
 METAL:
 P-PHOSPHOR BRONZE
 B-BRASS



REV.	REVISION RECORD	DATE	GENERAL TOLERANCES		SCALE:	NAME	DATE	PART.NO:	DWG.NO:	
AO	NEW RELEASE		LINEAR	ANGLES	1:1			A2501T2FX-X	ENDE05	
			0.0±0.35	X'REF±6'	APPROVED	梁林积	2024.5.18			WanLian Technology Co., Ltd REV: AO SHEET: 1/2
			UNIT:mm	0.00±0.25	DESIGNER	梁林积	2024.5.28	TITLE:		
			SIZE: A4	0.000±0.10	DRAWN	肖雨曦	2024.5.28	Pitch 2.50mm 180°XH Female端子		

The product using material and processing must conform to the "WI-PZ-001"HSF technical standard control requirements

RoHS



NOTE(注):

1. 纸箱装箱以不超过装箱线为准, 空余位置用塑料泡沫及保尼龙填充;



包装数量
6000PCS/REEL

REV.	REVISION RECORD	DATE		GENERAL TOLERANCES		SCALE: 1:1	NAME	DATE	PART.NO:	DWG.NO:	
A0	NEW RELEASE			LINEAR 0.0±0.35 UNIT:mm SIZE: A4	ANGLES X'REF±6° X'±3° X'X' ±2°	APPROVED	梁林积	2024.5.28	A2501T2FX-X	ENDE05	

WanLian Technology Co., Ltd