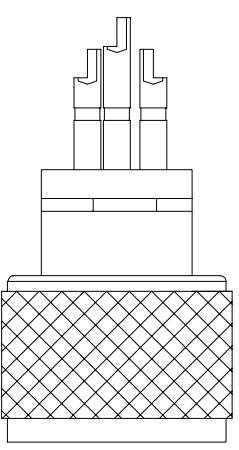
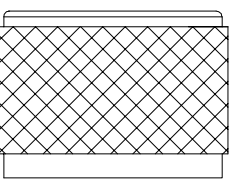
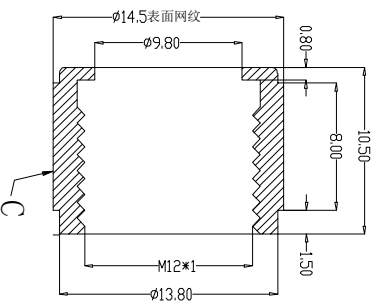
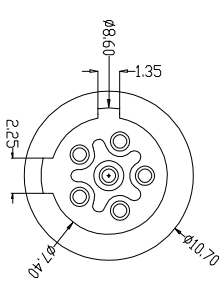
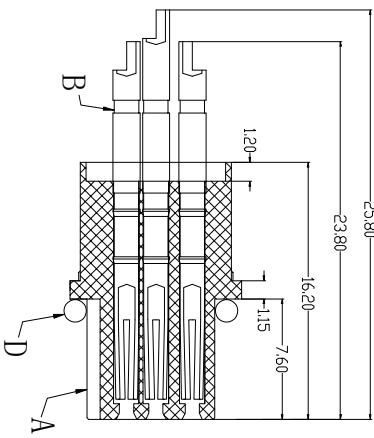
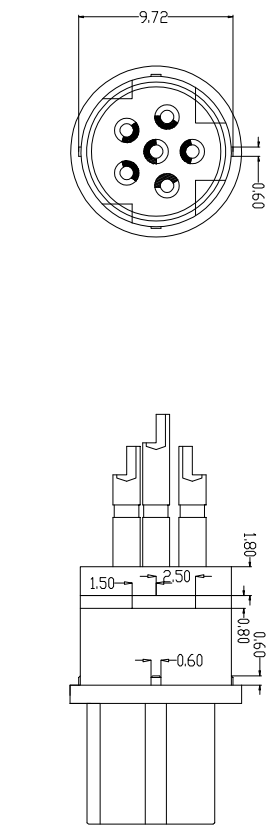
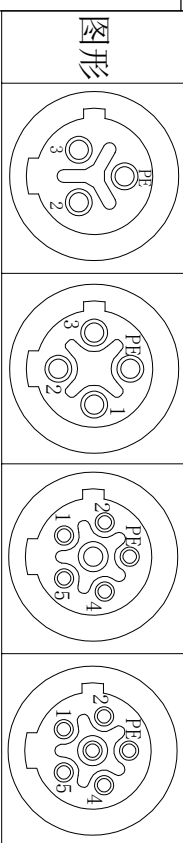


The product using material and processing must conform to the "WL-PZ-001"HSF technical standard control requirements

pin位	3pin	4pin	5pin	6pin
X值	1.00mm	1.00mm	0.76mm	0.76mm



组合图

P/N	TITLE	Engagement force	Rated voltage	3~4pin:250V 5PIN:60V 6PIN:30V	PARTS	MATERIALS	TREATMENT	AMOUNT
M12S03-08-110	M12防水 3P线端母头 C-CODE+10.5L网状螺母	≥10N	Rated current	3~4pin:4A 5~6pin:2A	A	HOUSING	PA66+GF	SPECIFY COLOR
M12S04-08-110	M12防水 4P线端母头 C-CODE+10.5L网状螺母	≥500	Insulation resistance	≥1000MΩ	B	CONTACT	BRONZE	GOLD PLATED
M12S05-08-110	M12防水 5P线端母头 C-CODE+10.5L网状螺母	IP rating	Contract resistance	≤10MΩ	C	NUT	BRASS	NICKL PLATED
M12S06-08-110	M12防水 6P线端母头 C-CODE+10.5L网状螺母	Flammability	Operation Temperature	-40° C~105° C	D	O-RING	EPDM	BLACK
					E			

REV.	REVISION RECORD	DATE	GENERAL TOLERANCES	SCALE:	NAME	DATE	PART.NO.:	DWG.NO.:
A0	NEW RELEASE	21.11.17	LINEAR	1:1			M12XXX-08-110	ENDE05
			ANGLES	APPROVED				
			X*REF±6°	DESIGNER				
			X*±3'	DRAWN				
			SIZE: A4					

TITLE:		M12防水 3~6P线端母头 C-CODE+10.5L网状螺母	
REV:	A0	SHEET:	1/1



Wanlian Technology Co., Ltd