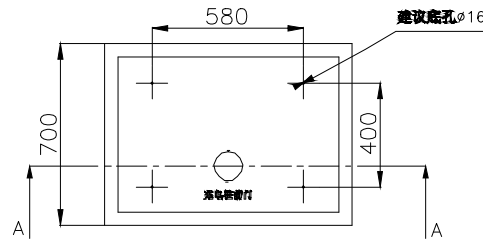
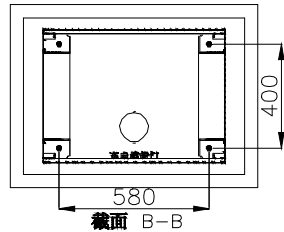
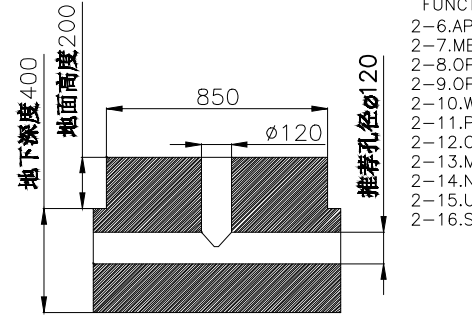
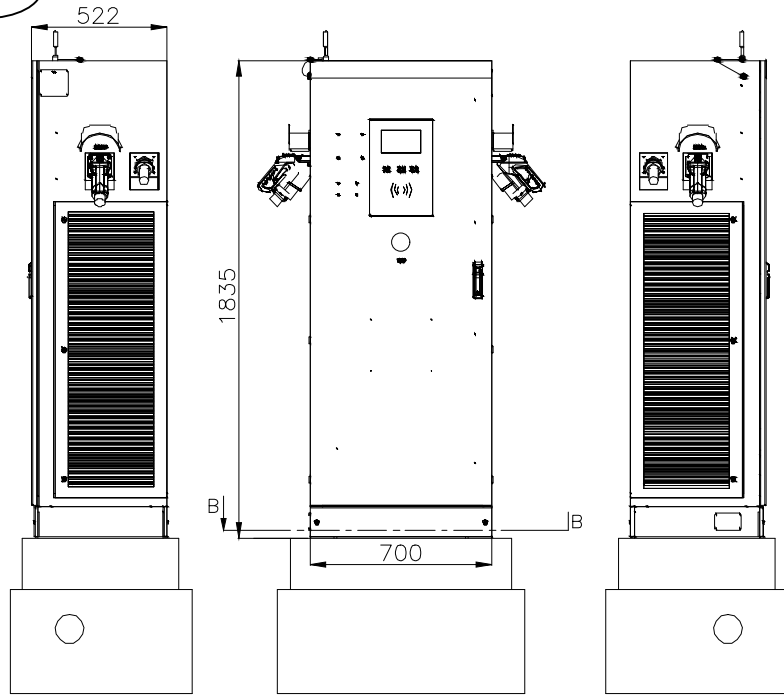


The product using material and processing must conform to the "WI-PZ-001"HSF technical standard control requirements

RoHS



NOTE: -

1.ELECTRICAL:

- 1-1.RATED POWER:240KW
- 1-2.CURRENT OUTPUT:240A MAX
- 1-3.OUTPUT VOLTAGE:200-750V
- 1-4.INPUT VOLTAGE:AC 380V±20%
- 1-5.COMMUNICATION INTERFACE:ETHERNET, 4G, CAN AND RS485
- 1-6.INCOMING FREQUENCY:45~65Hz
- 1-7.CURRENT LIMITING PROTECTION VALUE:≥110%
- 1-8.VOLTAGE REGULATION ACCURACY:≤±0.5%
- 1-9.PRECISION OF STEADY CURRENT:≤1%
- 1-10.RIPPLE FACTOR:≤±0.5%
- 1-11.PEAK EFFICIENCY:0.945
- 1-12.POWER FACTOR:≥0.99(50% load above)
- 1-13.HARMONIC CONTENT:≤5%(50% load above)

2.PHYSICAL:

- 2-1.SPECIFICATION OF THE MACHINE:700× 580× 1835mm(W× D× H)
- 2-2.WAY TO INSTALL:FLOOR TYPE
- 2-3.LINEAR WAY:THE CABLES GO IN FROM BELOW, OUT FROM ABOVE
- 2-4.THE LENGTH OF THE CABLE:5m
- 2-5.THIS PRODUCT HAS LED INDICATING LAMP AND CREDIT CARD FUNCTION,WITHOUT KEY SETTING FUNCTION
- 2-6.APPLIED ENVIRONMENT:OUTDOOR/INDOOR
- 2-7.MEASURING ACCURACY: LEVEL 1
- 2-8.OPERATING TEMPERATURE:-25°C to +50°C
- 2-9.OPERATING HUMIDITY:5% TO 95% WITHOUT CONDENSATION
- 2-10.WORKING ALTITUDE:<2000M.
- 2-11.PROTECTION DEGREE:IP54
- 2-12.COOLING MODE:FORCED AIR COOLING
- 2-13.MTBF:100000 HOURS
- 2-14.NOISE CONTROL:≤60dB
- 2-15.UNIT WEIGHT:210kg
- 2-16.SUPPORT VERSION: NATIONAL STANDARD

REV.	REVISION RECORD	DATE		GENERAL TOLERANCES		SCALE:	NAME	DATE	PART.NO: WLH3-DC240K-G0B21-240	DWG.NO: ENDE05	
A0	NEW RELEASE	22.01.04		LINEAR	ANGLES	1:1	Ximei_Yang	22.01.04			
			UNIT:mm	0.0±0.35	X'REF±6'	APPROVED	Han_Gao	22.01.04	TITLE: 240KW落地式直流充电桩	REV: A0	SHEET: 1/1
			SIZE: A4	0.00±0.25	X'±3'	DESIGNER	Zhonghao_Che	22.01.04			
				0.000±0.10	X'X' ±2'	DRAWN					